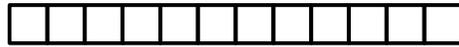


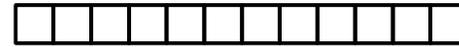
B

VS 10-75 CG OPTIMA
VS 40-150 CG OPTIMA SUP
VS 40-150 CG OPTIMA SUP-EXH
AHU VS 21 – VS 150

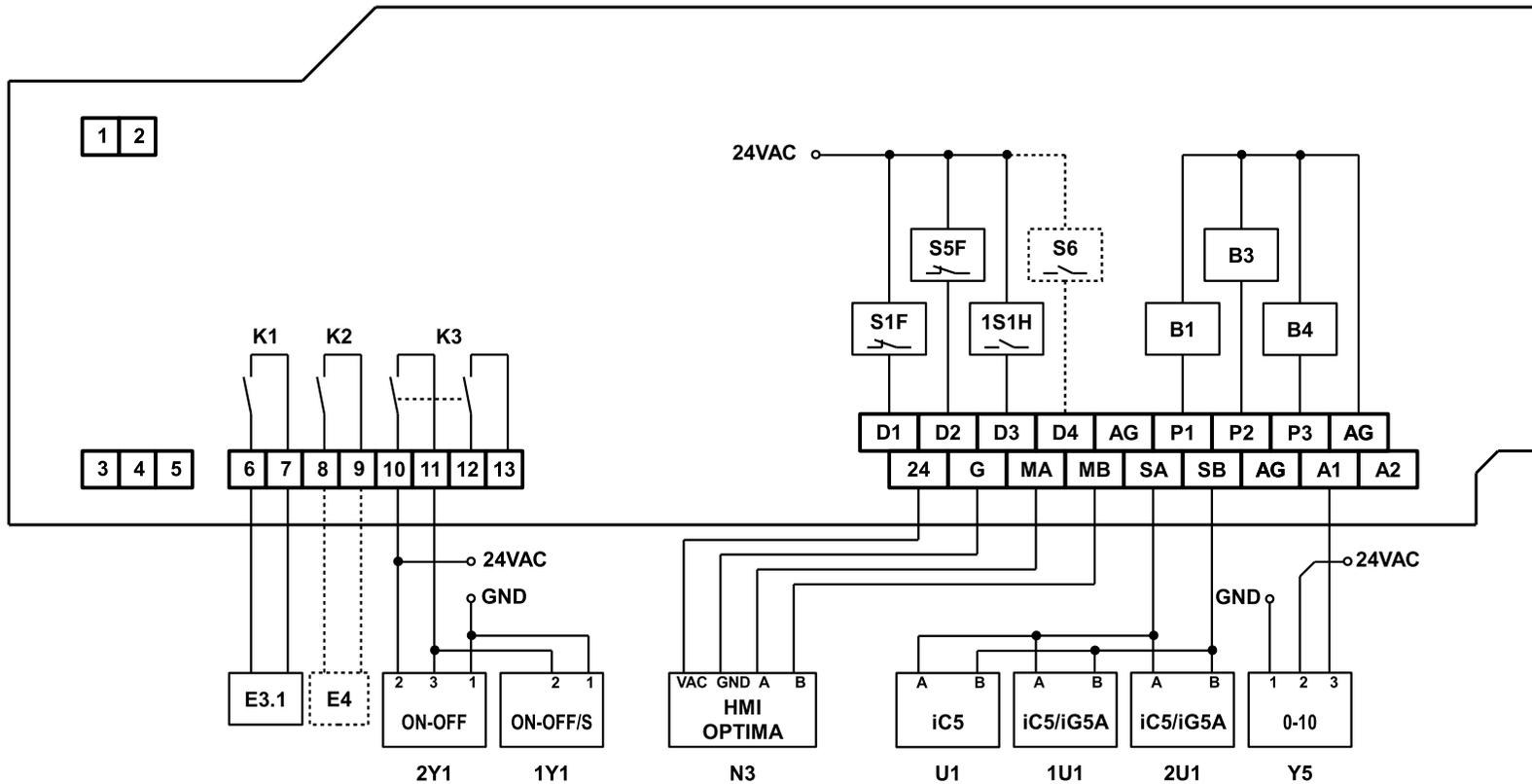
APPLICATION: AR16-S / AR16-R
AR144-S / AR144-R



common ground terminal GND



common terminal 24VAC



B

VS 10-75 CG OPTIMA
VS 40-150 CG OPTIMA SUP
VS 40-150 CG OPTIMA SUP-EXH

RS485 / Modbus connection details

